

PRELUDE

SOCIAL

STORY

WORSHIP

GROUPS

HOME

CREATING A SAFE PLACE TO CONNECT
25 MINUTES

MADE TO CREATE

an activity that explores ideas through the process of drawing, building, designing, and problem-solving



2. GOD'S PLAN IS THE BEST PLAN [LIVE FOR GOD | APPLICATION ACTIVITY]

WHAT YOU NEED: "Blow Your Horn" Activity Page, scissors, markers, crayons and/or stickers, tape

WHAT YOU DO:

- Invite each kid to choose an Activity Page.
- Lead kids to point to each word as you read the Bottom Line aloud.
- Next, show kids where to cut along the lines.
- Set out scissors and guide kids to cut where shown. Provide assistance as needed.
- Invite kids to decorate their pages with the markers, crayons, and/or stickers.
- When each kid finishes, show them how they can roll their page and overlap the ends and tape them together to make a trumpet.

TODAY'S BIBLE STORY

Cities in Dust

Israel Captures Jericho
Joshua 5:13–6:20

TODAY'S BOTTOM LINE

God's plan is the best plan.

MONTHLY MEMORY VERSE

I remain confident of this:
I will see the goodness of the
Lord in the land of the living.
Psalm 27:13, NIV

MONTHLY LIFE APP

**Confidence—Learning to see
yourself the way God sees you**

BASIC TRUTH

I can trust God no matter what.

WHAT YOU SAY:

"What do you remember about trumpets from our Bible story today? (*The Israelite priests blew trumpets when they marched around Jericho.*) Even though God's plan for the Israelites to march around Jericho, blow trumpets, and shout didn't make sense, Joshua and the Israelites obeyed. They had **CONFIDENCE** that God's plan was the **BEST** plan.

[Make It Personal] (Tell kids about a time in your life when God's plan was the best plan, even though you may not have understood it at first. You might tell kids about when you moved to a new city, learned to do something that was challenging at first, or experienced something that you didn't understand. Tell kids how God grew your confidence in Him through the experience.)

"You can have confidence that **God's plan is the best plan**, too. You can have confidence that **God's plan is the best plan** when you move to a new home and have to make new friends. You can have confidence that **God's plan is the best plan** when you don't get the teacher you want at school. And you can have confidence that **God's plan is the best plan** when something seems confusing or hard to do. No matter what, **God's plan is the best plan!**"



What to Do:

Print on different colors of cardstock. Provide one for each kid.

"Blow Your Horn" Activity Page

June 2021, Week 2, Small Group K-1
©2021 The reThink Group, Inc. All rights reserved.



**SHERWOOD
KIDS**

VBS

DAY
ONE
JUNE 2021

SMALL GROUP
CRAFTS

TODAY'S BIBLE STORY

"Israel Captures Jericho"

Joshua 5:13 - 6:20

TODAY'S BOTTOM LINE

You can be confident
because God has a plan
for you

MONTHLY MEMORY VERSE

"I remain confident of this: I will
see the goodness of the Lord in
the land of the living."

- Psalm 27: 13 NIV

LIFE APPLICATION

Confidence - Learning to see
yourself the way God sees you

BASIC TRUTH

I can trust God no matter what.

2ND - 3RD GRADE NOTE:

THERE ARE NO CRAFTS FOR 2ND - 3RD GRADE DAY TWO

FEEL FREE TO USE THIS TIME HELPING TEAM LEADERS WITH
OTHER ACTIVITIES!

THANK YOU FOR SERVING!

PRELUDE

SOCIAL

STORY

WORSHIP

GROUPS

HOME

CREATING A SAFE PLACE TO CONNECT
25 MINUTES

MADE TO EXPLORE

an activity that extends learning through hands-on experimentation and discovery



1. TAKE A SNAPSHOT

[LIVE FOR GOD | APPLICATION ACTIVITY]

WHAT YOU NEED: Pipe cleaners, straws, "Follow the Plan" Activity Page

WHAT YOU DO:

- Give each kid the following:
 - One pipe cleaner
 - Eight short straws
 - Six long straws
- Explain you will give kids a step-by-step plan to create an object with the pipe cleaner and straws. The catch is kids won't know what they are creating; they must just follow the plan.
- Read the step-by-step instructions from the "Follow the Plan" Activity Page.
- Start with an easy one such as the house.
- Instruct kids to follow the exact plan you give them, but be careful not to correct anyone who places a straw incorrectly.
- Challenge kids to guess what they are making. Award a point to the first kid to guess correctly.

WHAT YOU SAY:

WHAT YOU SAY:

"You did a great job following the plan even though you didn't know what the outcome was going to be. Sometimes we are told to do something that doesn't seem like it will work. What are some things you can do when you are given a plan that doesn't make sense?"

TODAY'S BIBLE STORY

Cities in Dust

Israel Captures Jericho
Joshua 5:13-6:20

TODAY'S KEY QUESTION

When have you needed a plan?

TODAY'S BOTTOM LINE

God's plan is the best plan.

MONTHLY MEMORY VERSE

I remain confident of this:
I will see the goodness of the
Lord in the land of the living.
Psalm 27:13, NIV

MONTHLY LIFE APP

Confidence—Learning to see
yourself the way God sees you

BASIC TRUTH

I can trust God no matter what.

(Note: This one is the easiest.)

Using 4 long straws, make a square.

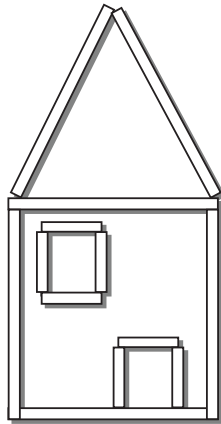
Using 2 long straws, make a triangle on the top of the square.

Using 3 short straws, make a small square along the bottom inside of the large square.

Using 4 short straws, make small squares inside the large square.

What is it?

A HOUSE



Place 1 long straw pointing towards you.

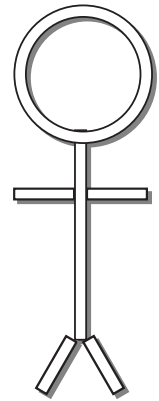
Using 2 short straws make a "T" in the middle of the long straw.

Using 2 short straws, at the bottom of the long straw, make an upside down "V".

Using a pipe cleaner, make a circle. Place the circle on top of the long straw.

What is it?

A STICK PERSON



Using a pipe cleaner, make a circle.

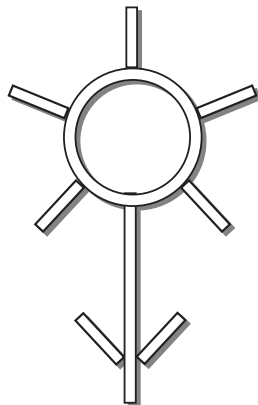
Place 5 small straws evenly spaced around the outside of the circle.

At the bottom of the circle, place one long straw.

Using 2 short straws, make a "V" along the long straw.

What is it?

A FLOWER



Place one long straw pointing towards you.

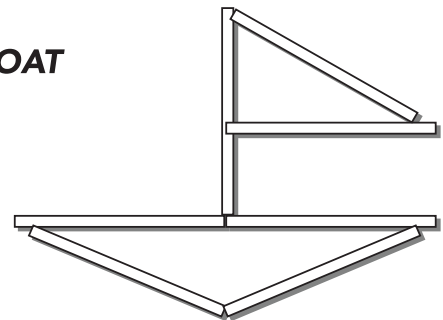
At the top of the straw, use 2 long straws to make a triangle pointing to the right.

Add 2 long straws at the bottom of the original straw to make an upside down "T".

Place 2 long straws under the "T" to make a triangle that points toward you.

What is it?

A BOAT



What to Do:

Provide one for each small group.

"Follow the Plan" Activity Page

June 2021, Week 2, Preteen Small Group
©2021 The reThink Group, Inc. All rights reserved.